

## AK – the classic workshop machine

The manual folding machine type AK is the classic workshop machine for the daily use in small and mid-sized enterprises – simply indestructible and easy to operate.

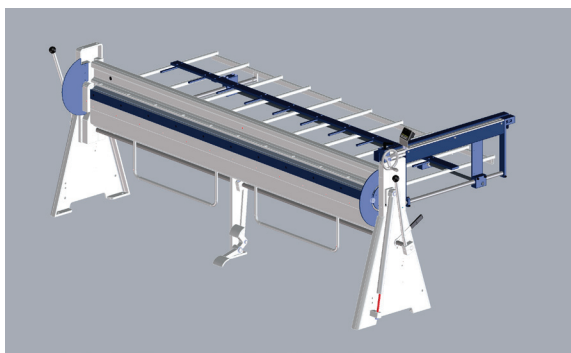
**NEW**  
Manual back gauge  
adjustable from  
the front



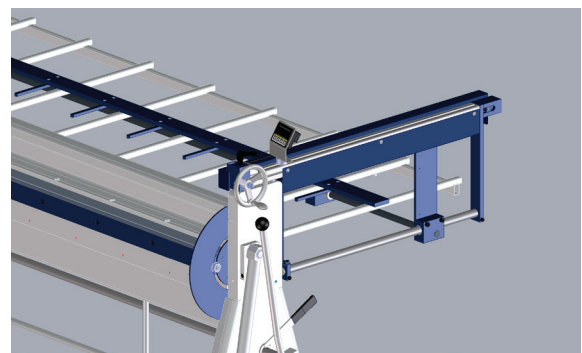
Someone who wants to bend different profiles, often needs to go to the back side of the machine in order to adjust the gauge. Optionally, the manual back gauge incl. sheet support table can now also be adjusted from the front. The selected gauge adjustment can be reliably controlled with a digital read out.

**Option:**

Manual back gauge 10 – 750 mm, adjustable from the front, with digital read out incl. sheet support table.



Manual back gauge 10 – 750 mm, adjustable from the front with digital read out incl. sheet support table.



With this new option the operator does not need to go around the machine as he can adjust the gauge dimension directly from the front.